

# Dimensions - TeSys D

## TeSys contactors

### TeSys D contactors

Control circuit: a.c.



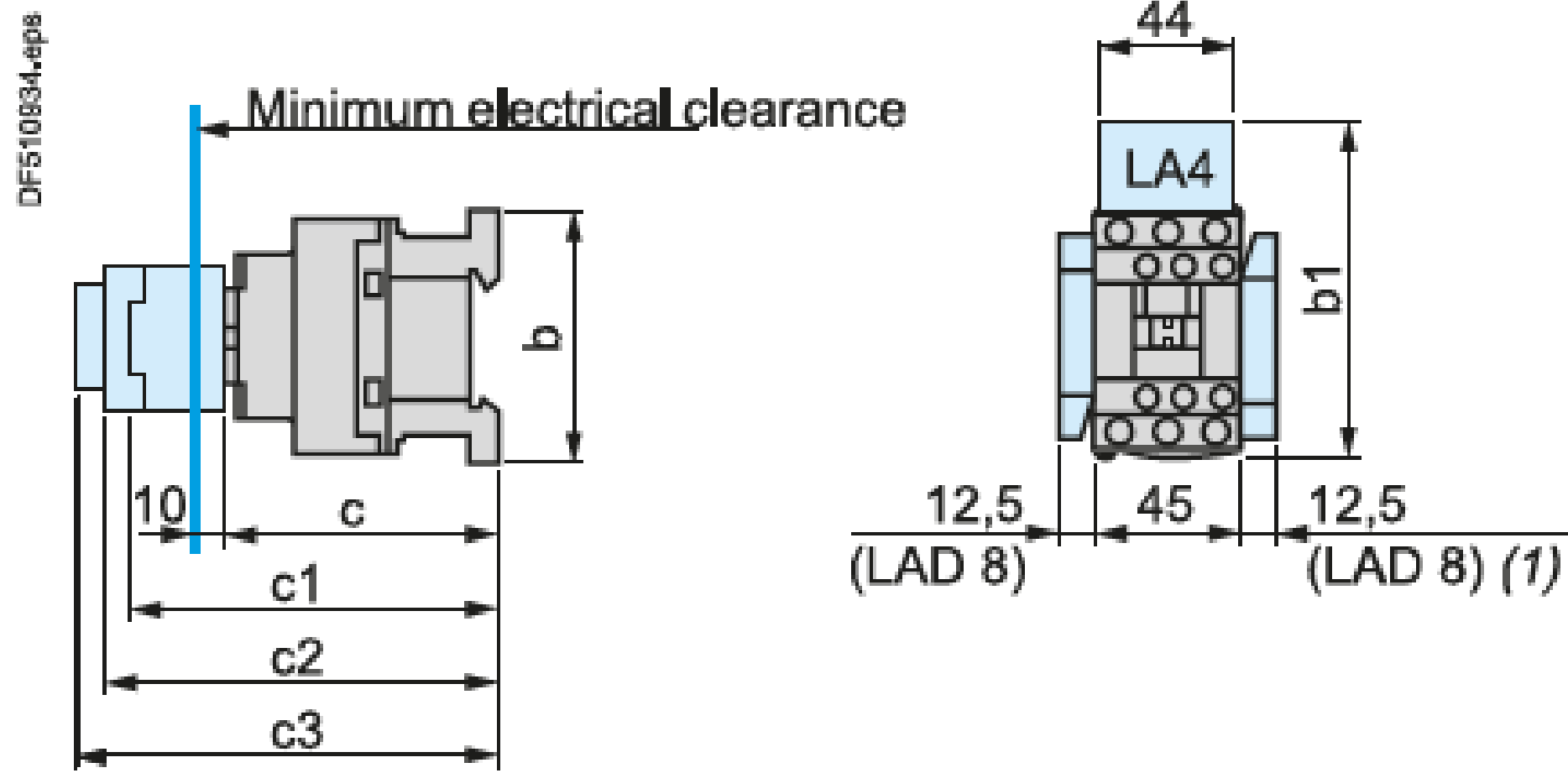
# فروشگاه اینترنتی جهان ولتاژ

عرضه و فروش انواع قطعات و ابزار الکتریکی

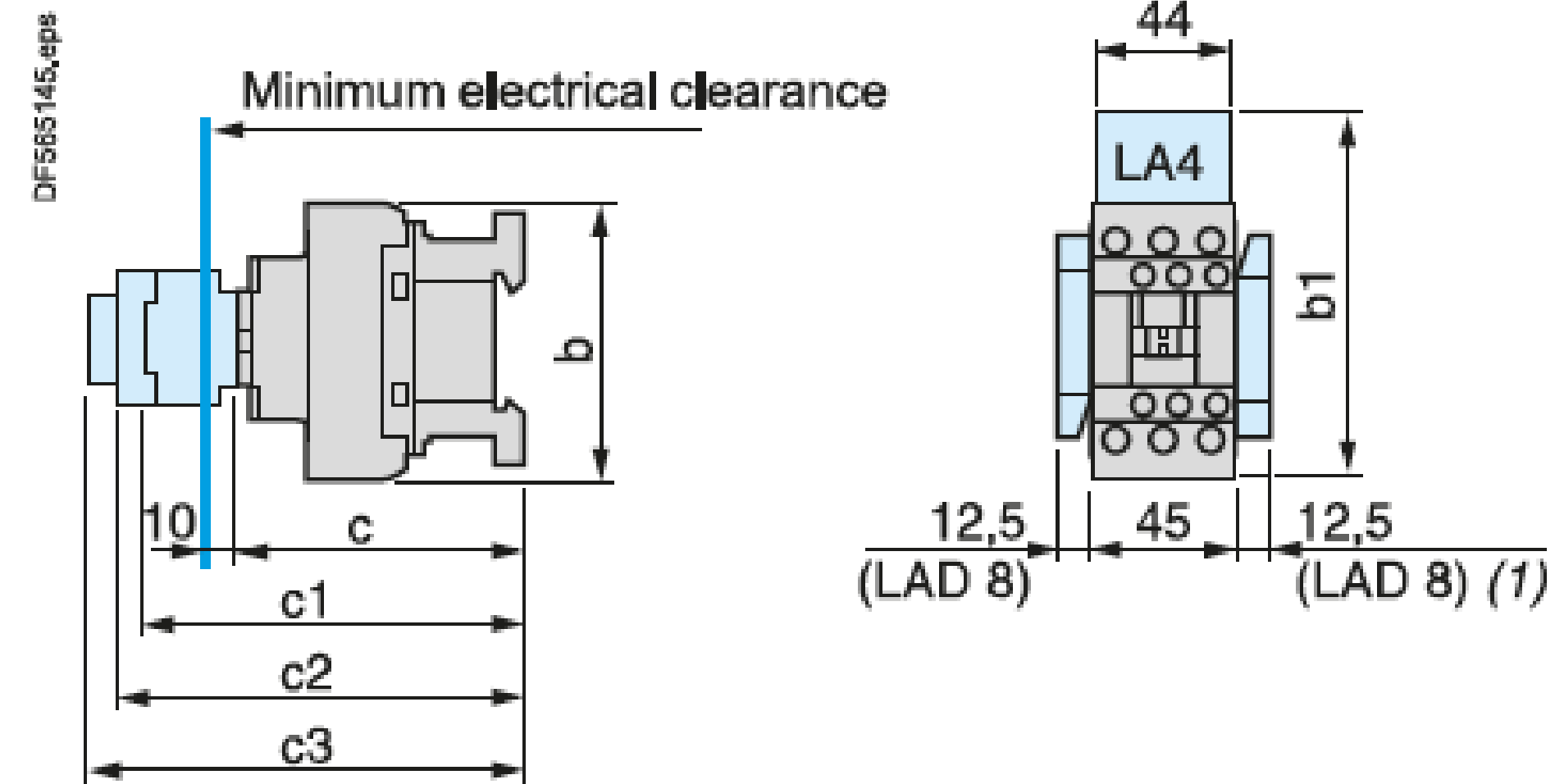
www.jahantaj.ir

0213456789

### LC1 D09...D18 (3-pole)



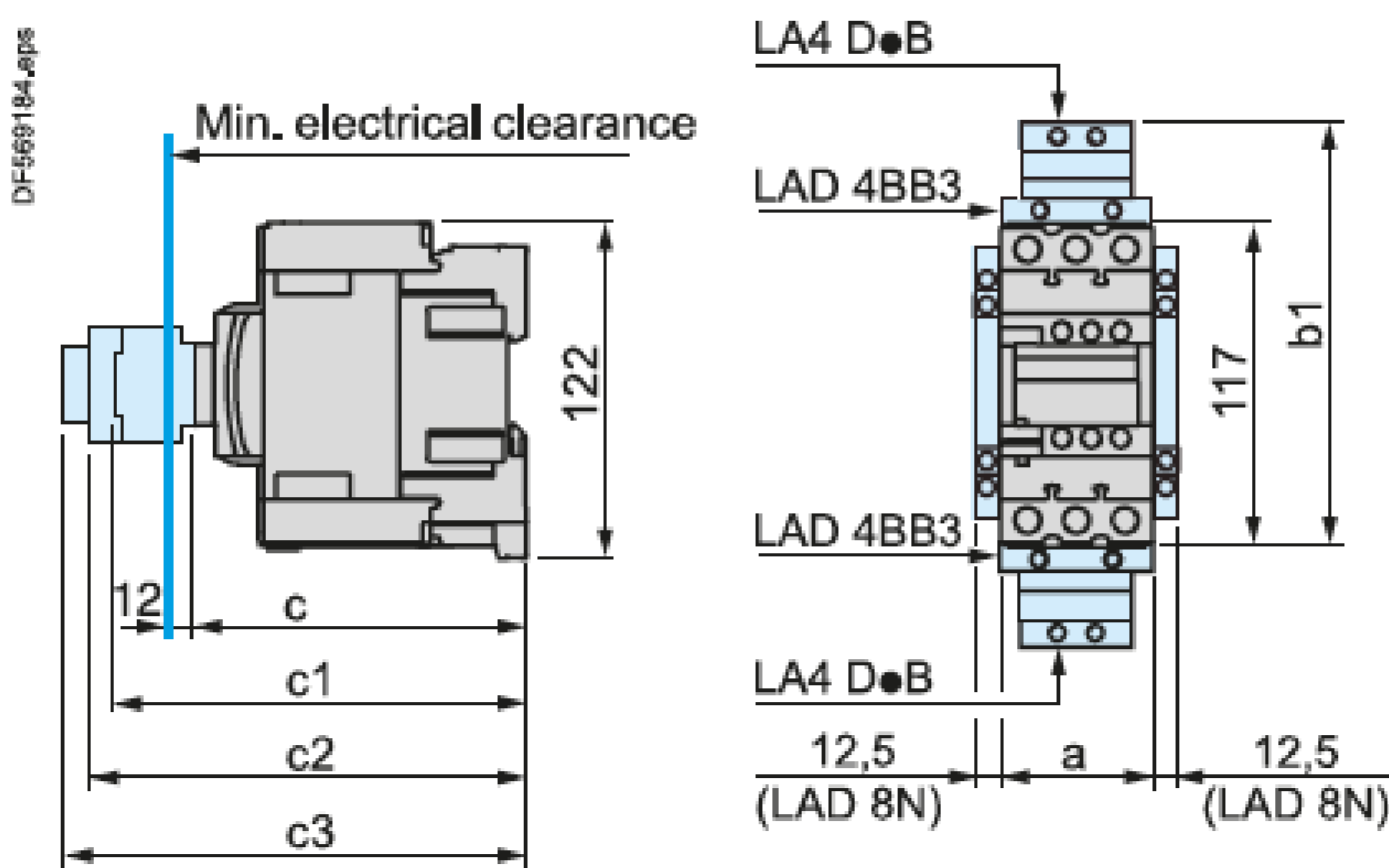
### LC1 D25...D38 (3-pole), LC1 DT20...DT40 (4-pole)



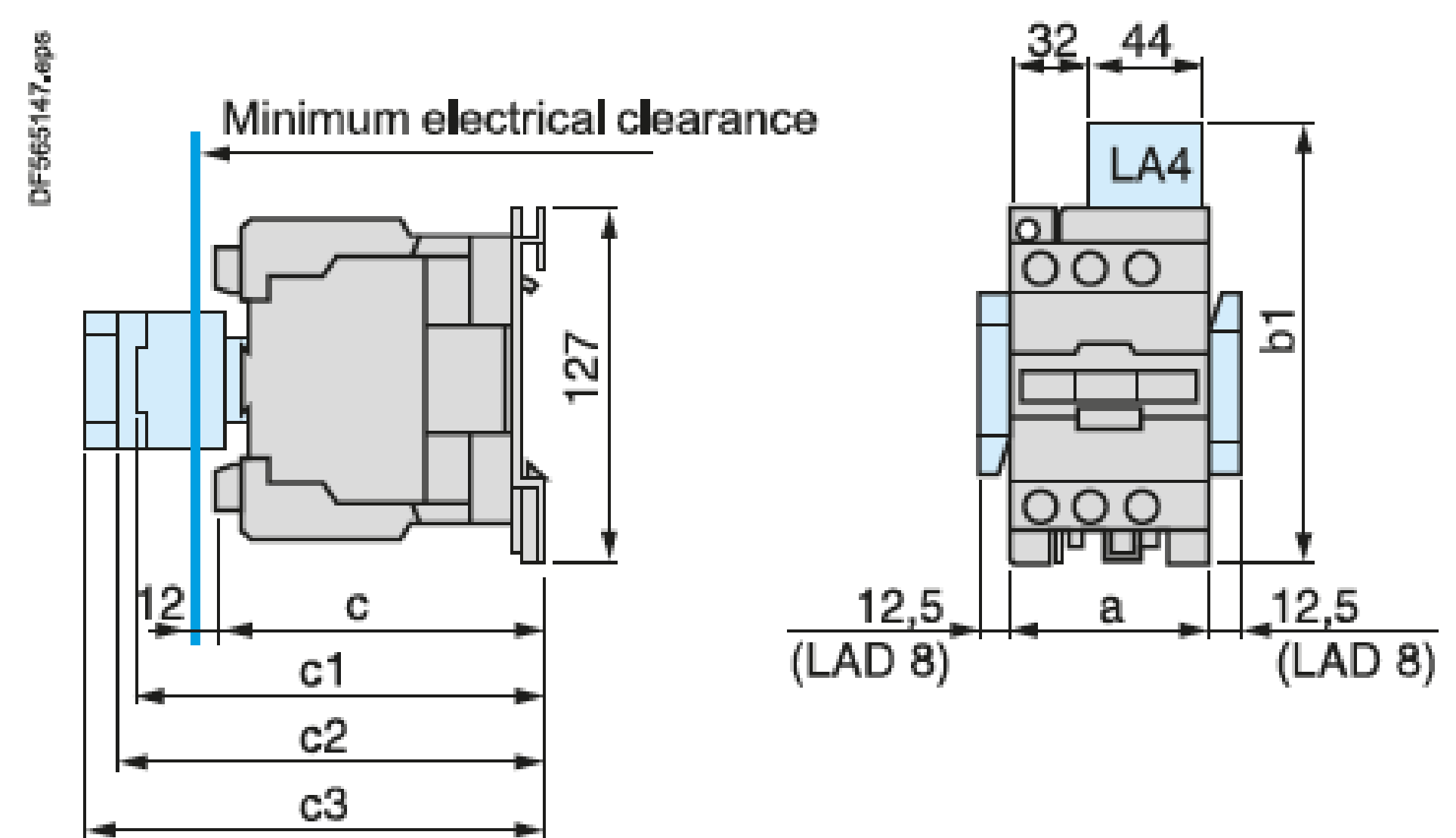
LC1	D09...D18	D093... D123	D099... D129	D25... D38	D183... D323	D098, D128, DT20 and DT25	DT203 and DT253	DT32 and DT40	D188, D258, DT323 and DT403
b without add-on blocks	77	99	80	85	99	85	99	91	105
b1 with LAD 4BB	94	107	95,5	98	107	98	-	-	-
with LA4 D●2	110 <sup>(1)</sup>	123 <sup>(1)</sup>	111,5 <sup>(1)</sup>	114 <sup>(1)</sup>	123 <sup>(1)</sup>	114	-	-	-
with LA4 DF, DT	119 <sup>(1)</sup>	132 <sup>(1)</sup>	120,5 <sup>(1)</sup>	123 <sup>(1)</sup>	132 <sup>(1)</sup>	129	-	-	-
with LA4 DW, DL	126 <sup>(1)</sup>	139 <sup>(1)</sup>	127,5 <sup>(1)</sup>	130 <sup>(1)</sup>	139 <sup>(1)</sup>	190	-	-	-
c without cover or add-on blocks	84	84	84	90	90	90	90	97	97
with cover, without add-on blocks	86	86	86	92	92	92	92	99	99
c1 with LAD N or C (2 or 4 contacts)	117	117	117	123	123	123	123	131	131
c2 with LA6 DK10, LAD 6K10	129	129	129	135	135	135	135	143	143
c3 with LAD T, R, S	137	137	137	143	143	143	143	151	151
with LAD T, R, S and sealing cover	141	141	141	147	147	147	147	155	155

(1) Including LAD 4BB.

### LC1 D40A...D80A (3-pole), LC1 DT60A...DT80A (4-pole)



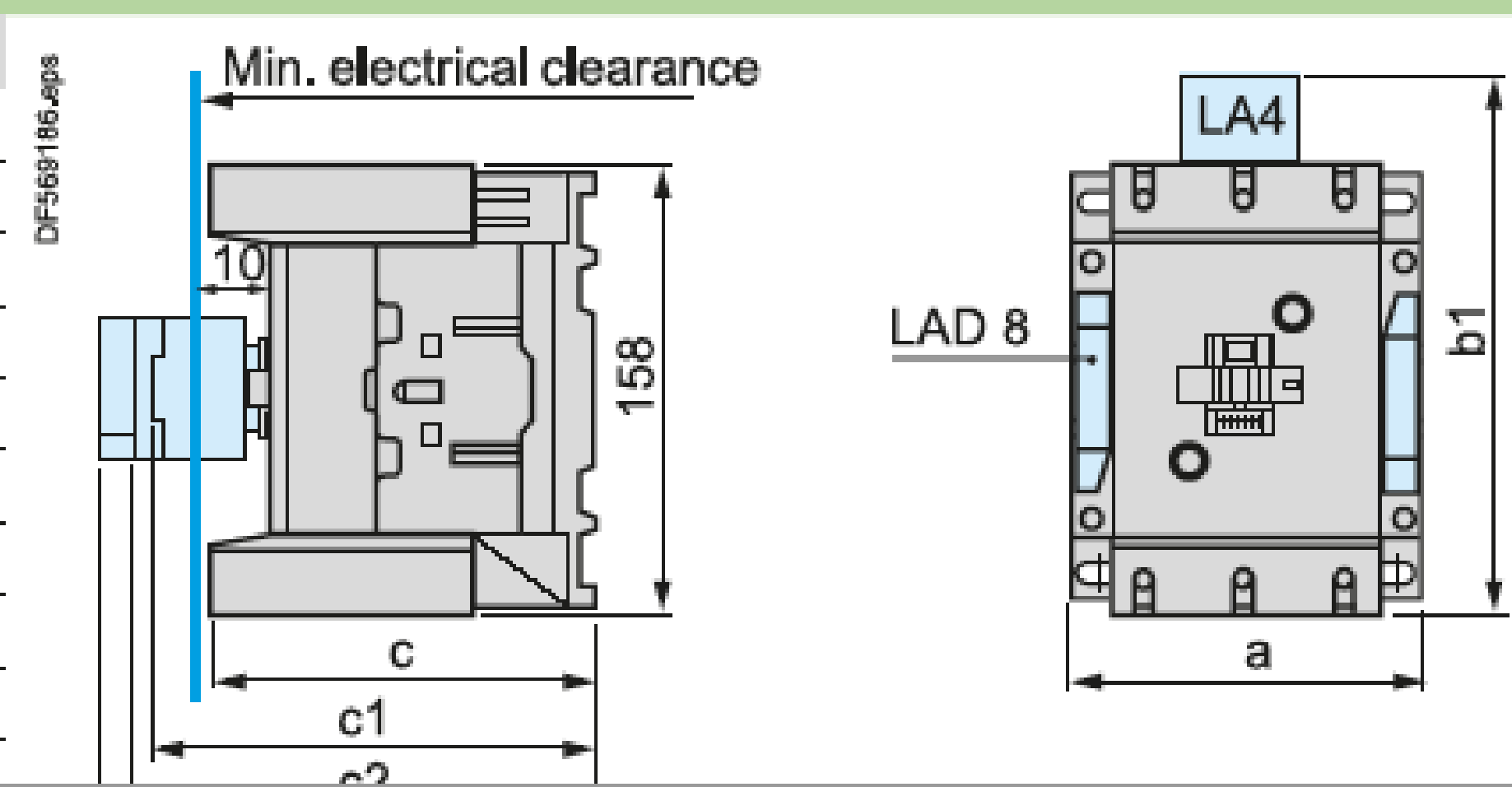
### LC1 D80 and D95 (3-pole), LC1 D80004 and D80008 (4-pole), D40008 and D65008 (4-pole)



LC1	D40A...D80A	DT60A...DT80A	D40008	D80	D95, D65008	D80004	D80008
a	55	70	85	85	85	96	96
b1 with LA4 D●2	-	-	135	135	135	135	135
with LA4 DB3 or LAD 4BB3	136	-	-	135	-	-	-
with LA4 DF, DT	157	-	142	142	142	142	142
with LA4 DM, DW, DL	166	-	150	150	150	150	150
c without cover or add-on blocks	118	118	125	125	125	125	140
with cover, without add-on blocks	120	120	-	130	130	-	-
c1 with LAD N (1 contact)	-	-	139	150	150	150	150
with LAD N or C (2 or 4 contacts)	150	150	147	158	158	158	158
c2 with LAD 6K10 or LA6 DK	163	163	159	170	170	170	170
c3 with LAD T, R, S	171	171	167	178	178	178	178
with LAD T, R, S and sealing cover	175	175	171	182	182	182	182

### LC1 D115 and D150 (3-pole), LC1 D115004 (4-pole)

LC1	D115, D150	D115004	D1150046
a	120	150	155
b1 with LA4 DA2	174	174	174
with LA4 DF, DT	185	185	185
with LA4 DM, DL	188	188	188
with LA4 DW	188	188	188
c without cover or add-on blocks	132	132	115
with cover, without add-on blocks	136	-	-
c1 with LAD N or C (2 or 4 contacts)	150	150	150
c2 with LA6 DK20	155	155	155
c3 with LAD T, R, S	168	168	168



# Dimensions - TeSys D

## TeSys contactors

### TeSys D contactors

Control circuit: d.c. or low c.v.



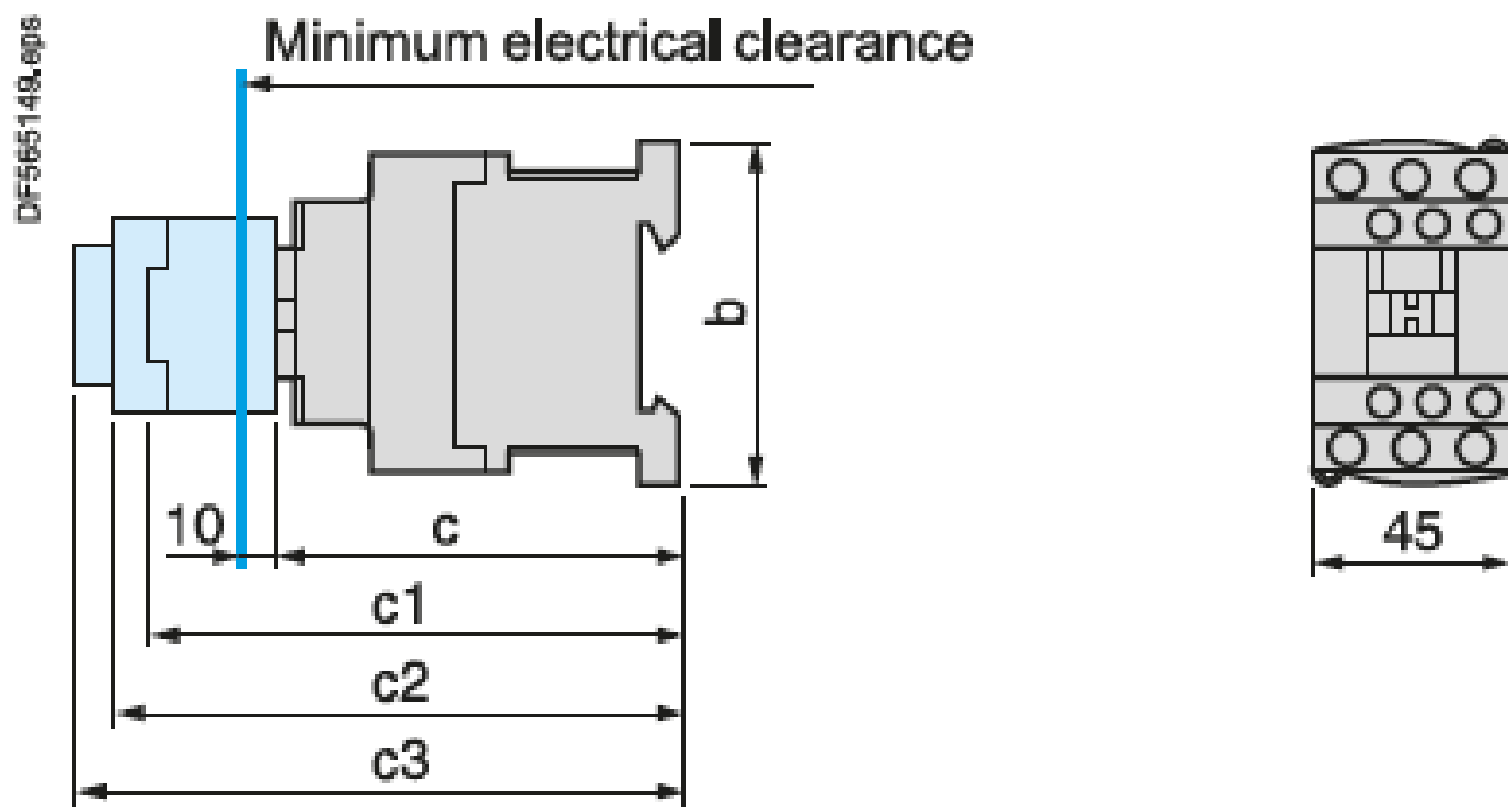
# فروشگاه اینترنتی جهان ولتاژ

عرضه و فروش انواع قطعات و ابزار الکتریکی

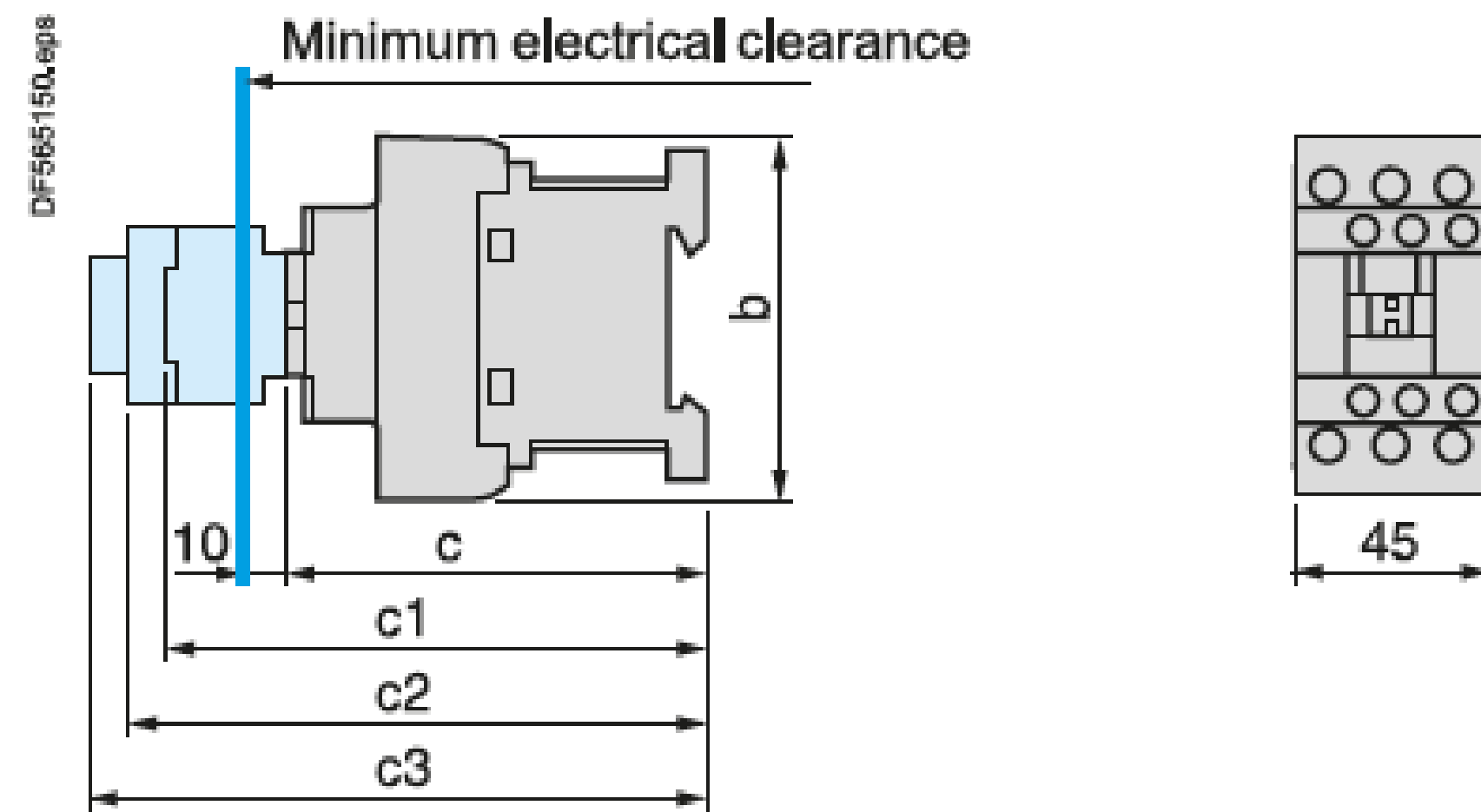
www.jahantaj.ir

0213456789

### LC1 D09...D18 (3-pole)

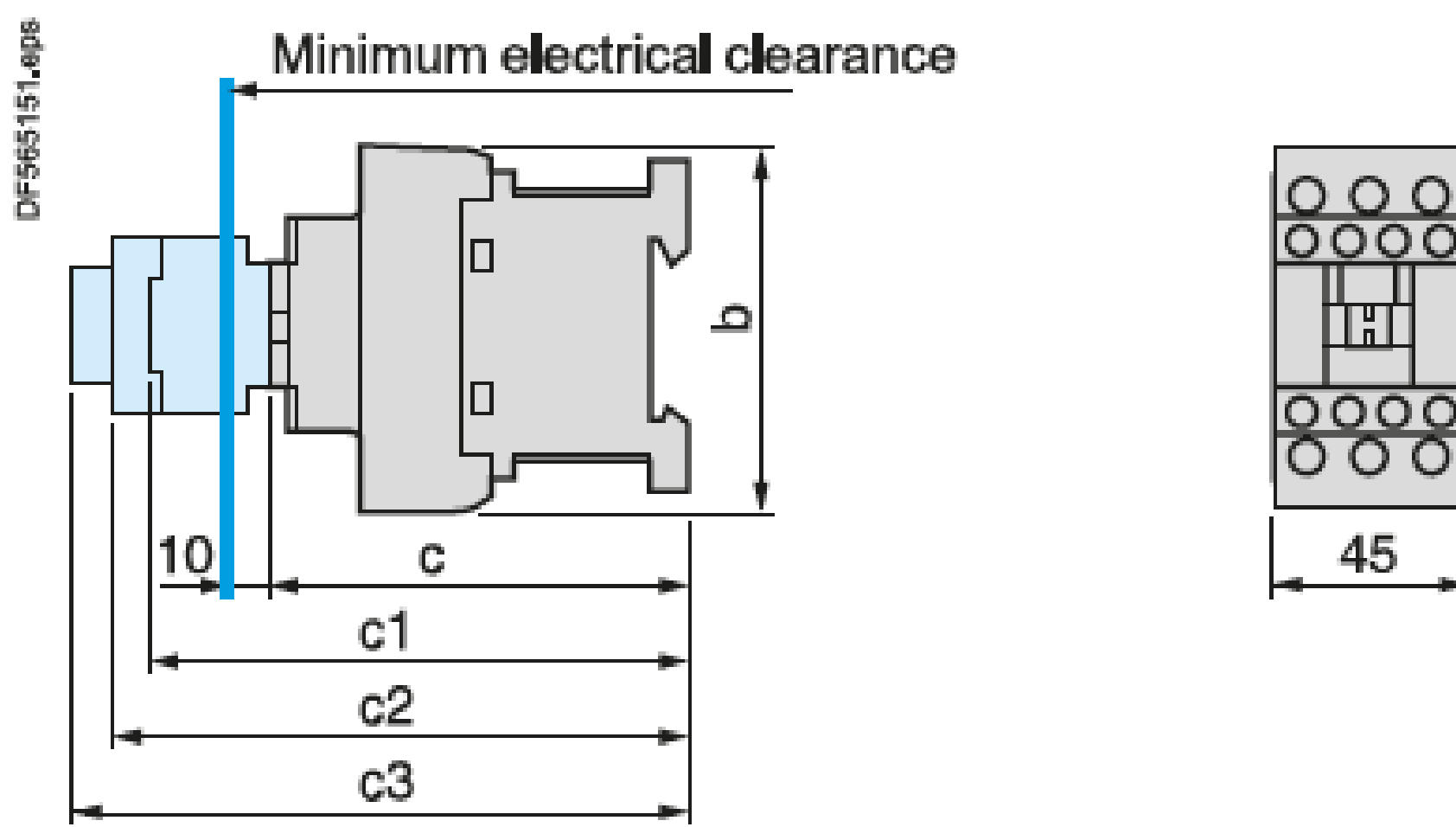


### LC1 D25...D38 (3-pole)



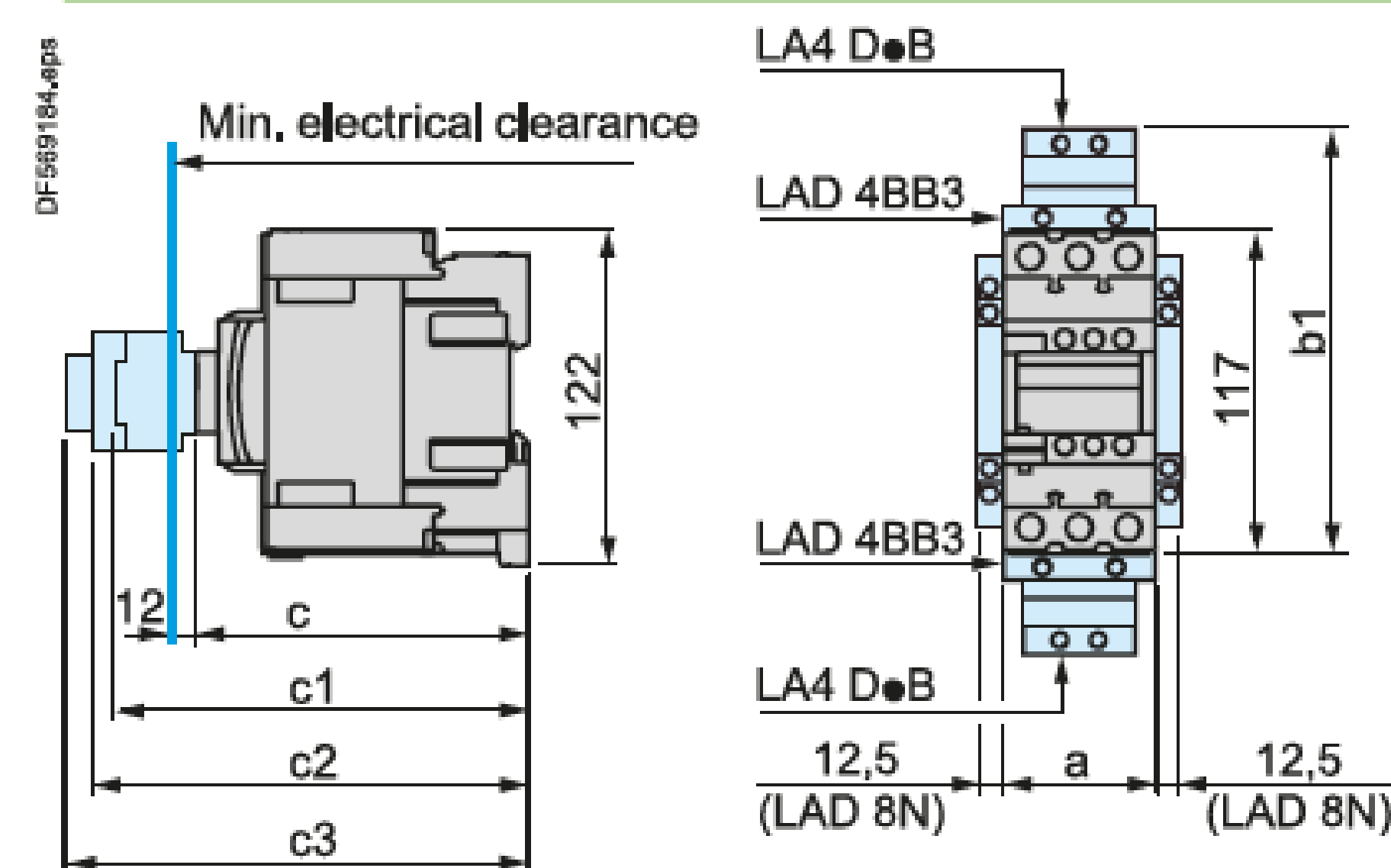
LC1	D09...D18	D093...D123	D099...D129	D25...D38	D183...D323
b	77	99	80	85	99
c	without cover or add-on blocks				
	93	93	93	99	99
	with cover, without add-on blocks				
	95	95	95	101	101
c1	with LAD N or C (2 or 4 contacts)				
	126	126	126	132	132
c2	with LA6 DK10				
	138	138	138	144	144
c3	with LAD T, R, S				
	146	146	146	152	152
	with LAD T, R, S and sealing cover				
	150	150	150	156	156

### LC1 DT20...DT40 (4-pole)

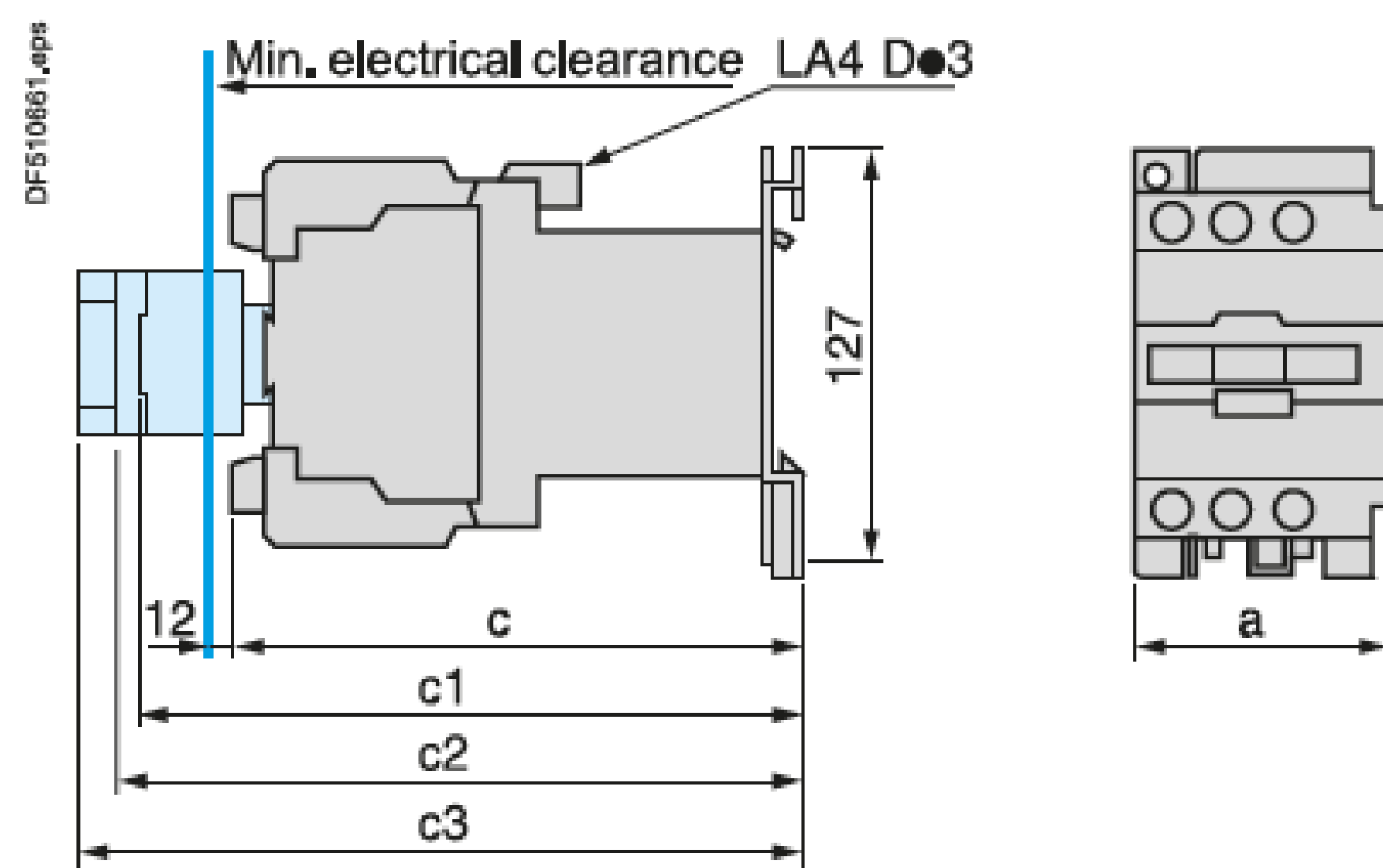


LC1	DT20 and DT25 D098 and D128	DT203 and DT253 D0983 and D1283	DT32 and DT40 D188...D258	DT323 and DT403 D1883 and D2583
b	85	99	91	105
c	with cover			
	102	102	107	107
c1	with LAD N or C (2 or 4 contacts)			
	123	123	131	131
c2	with LA6 DK10			
	135	135	143	143
c3	with LAD T, R, S			
	143	143	151	151
	with LAD T, R, S and sealing cover			
	147	147	155	155

### LC1 D40A...D80A (3-pole), LC1 DT60A...DT80A (4-pole)



### LC1 D80 and D95 (3-pole), LP1 D80004, LP1 D80008 (4-pole), LP1 D40008 and D65008 (4-pole)



	LC1 D40A ... D80A	LC1 DT60A...DT80A	LP1 D40008 and D65008	LC1 D80 and D95	LP1 D80004	LP1 D80008
a	55	72	85	85	96	96
b1	with LAD 4BB3					
	136	136	-	-	-	-
	with LA4 DF, DT					
	157	157	-	-	-	-
c	without cover or add-on blocks					
	118	118	182	181	181	196
	with cover, without add-on blocks					
	120	120	-	186	-	-
c1	with LAD N (1 contact)					
	-	-	196	204	204	204
	with LAD N or C (2 or 4 contacts)					
	150	150	202	210	210	210
c2	with LA6 DK10					
	163	163	213	221	221	221
c3	with LAD T, R, S					
	171	171	221	229	229	229

Mounting - TeSys D  
TeSys contactors  
TeSys D contactors



فروشگاه اینترنتی جهان ولتاژ

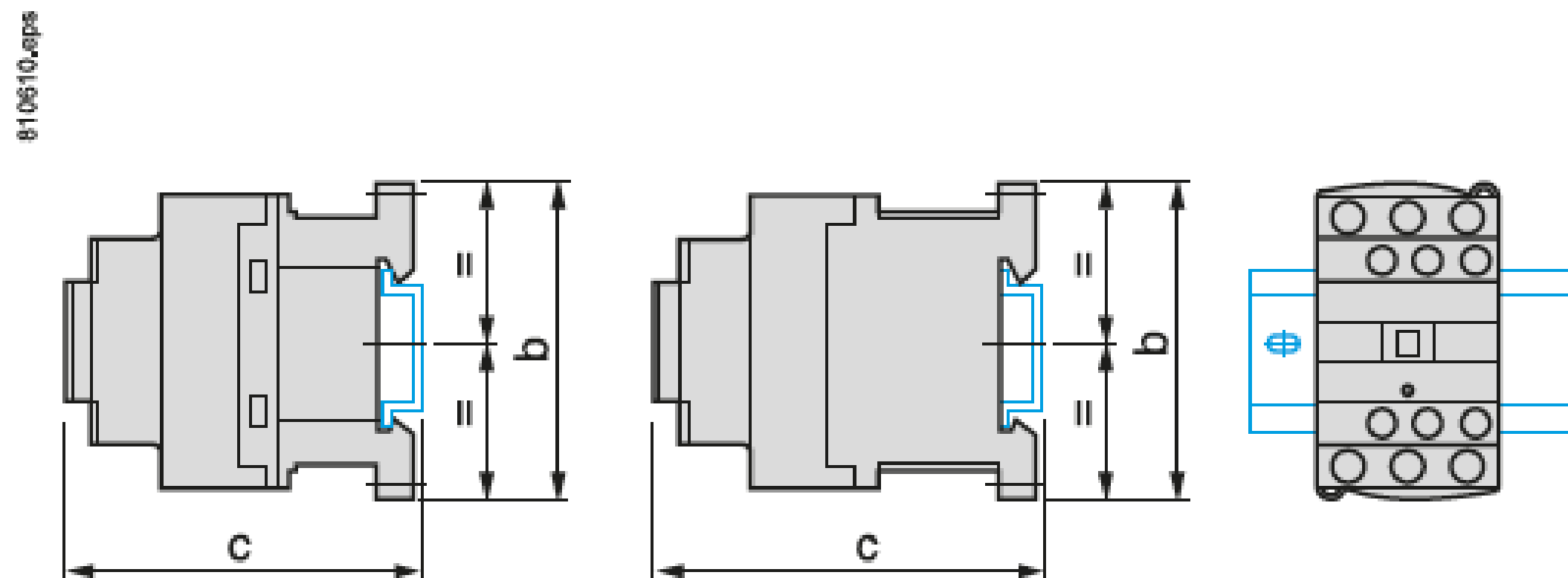
عرضه و فروش انواع قطعات و ابزار الکتریکی

www.jahantaj.ir

0213456789

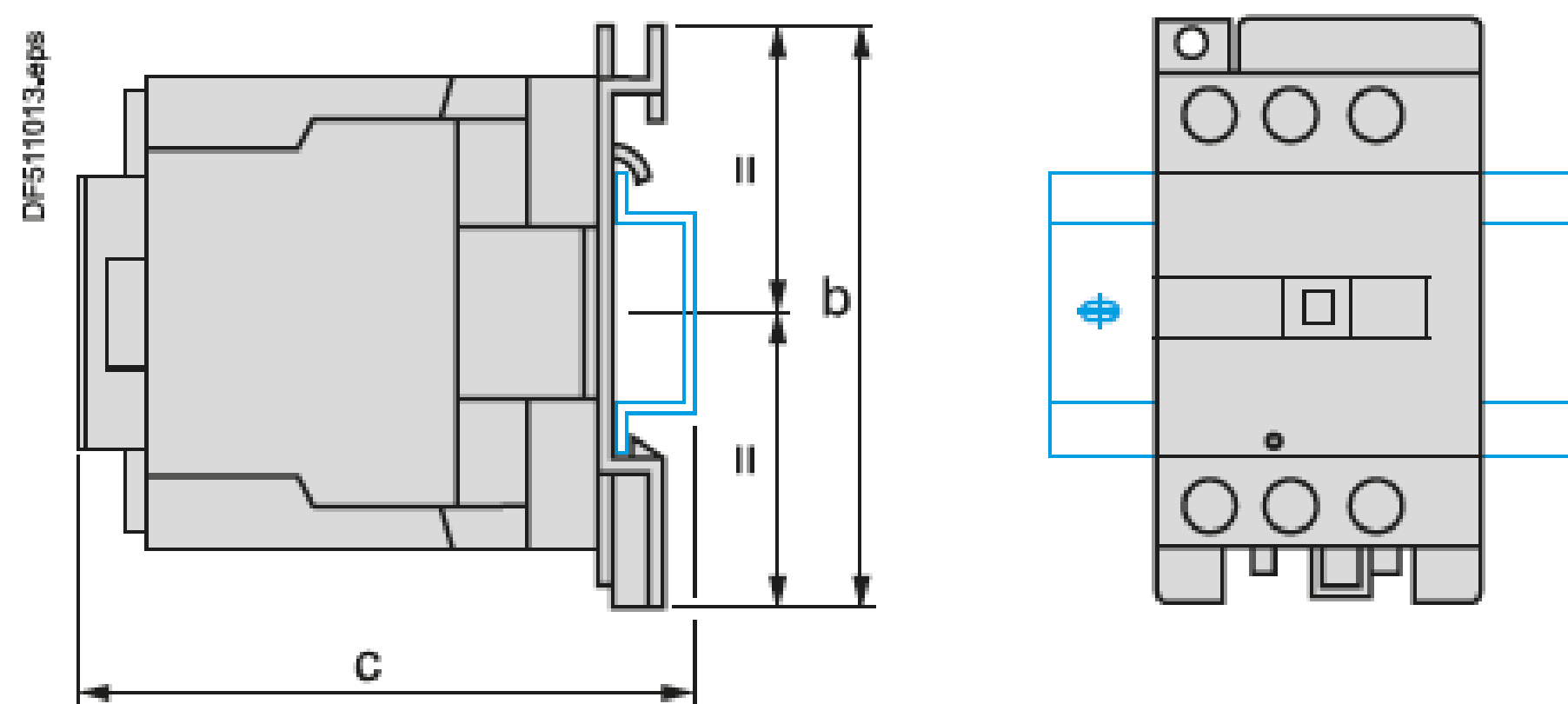
LC1 D09...D38, DT20...DT40

On mounting rail AM1 DP200, DR200 or AM1 DE200 (width 35 mm)



LC1 D40A...D80A, LC1 DT60A and DT80A, LC1 D80 and D95, LC1 D40008 and D65008

On mounting rail AM1 DL200 or DL201 (width 75 mm)<sup>(2)</sup>  
On mounting rail AM1 ED... or AM1 DE200 (width 35 mm)



Control circuit: a.c.

LC1	D09... D18	D25... D38	DT20 and DT25	DT32 and DT40
b	77	85	85	100
c (AM1 DP200 or DR200) <sup>(1)</sup>	88	94	94	109
c (AM1 DE200) <sup>(1)</sup>	96	102	102	117

Control circuit: a.c.

LC1	D40A...D80A DT60A...DT80A	D80 and D95	D40008 and D65008
b	122	127	127
c (AM1 DL200) <sup>(1)</sup>	—	147	143
c (AM1 DL201) <sup>(1)</sup>	—	137	133
c (AM1 ED... or DE200) <sup>(1)</sup>	128	137	133

Control circuit: d.c.

LC1	D09... D18	D25... D38	DT20 and DT25	DT32 and DT40
b	77	85	94	109
c (AM1 DP200 or DR200) <sup>(1)</sup>	97	103	103	118
c (AM1 DE200) <sup>(1)</sup>	105	110	111	126

Control circuit: d.c.

LC1	D40A...D80A DT60A...DT80A	D80 and D95	D40008 and D65008
c (AM1 DL200) <sup>(1)</sup>	—	205	200
c (AM1 DL201) <sup>(1)</sup>	—	195	190
c (AM1 ED... or DE200) <sup>(1)</sup>	128	—	190

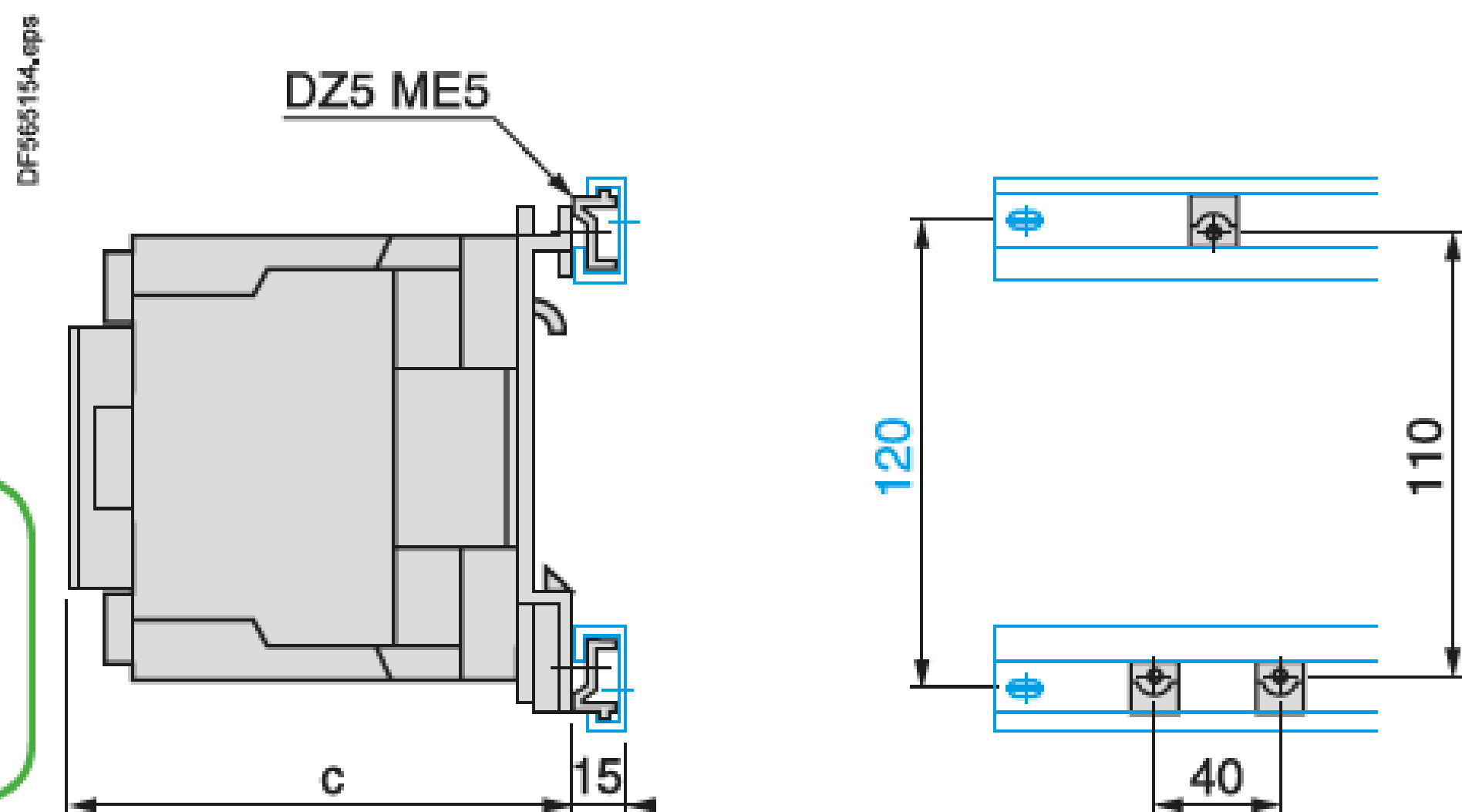
<sup>(1)</sup> With safety cover.

<sup>(1)</sup> With safety cover.

<sup>(2)</sup> Except for LC1 D40A...D80A, LC1 DT60A and DT80A.

LC1 D80 and D95, LP1 D80

On 2 mounting rails DZ5 MB on 120 mm centres



Control circuit: a.c.

LC1	D80 and D95
c with cover	130

Control circuit: d.c.

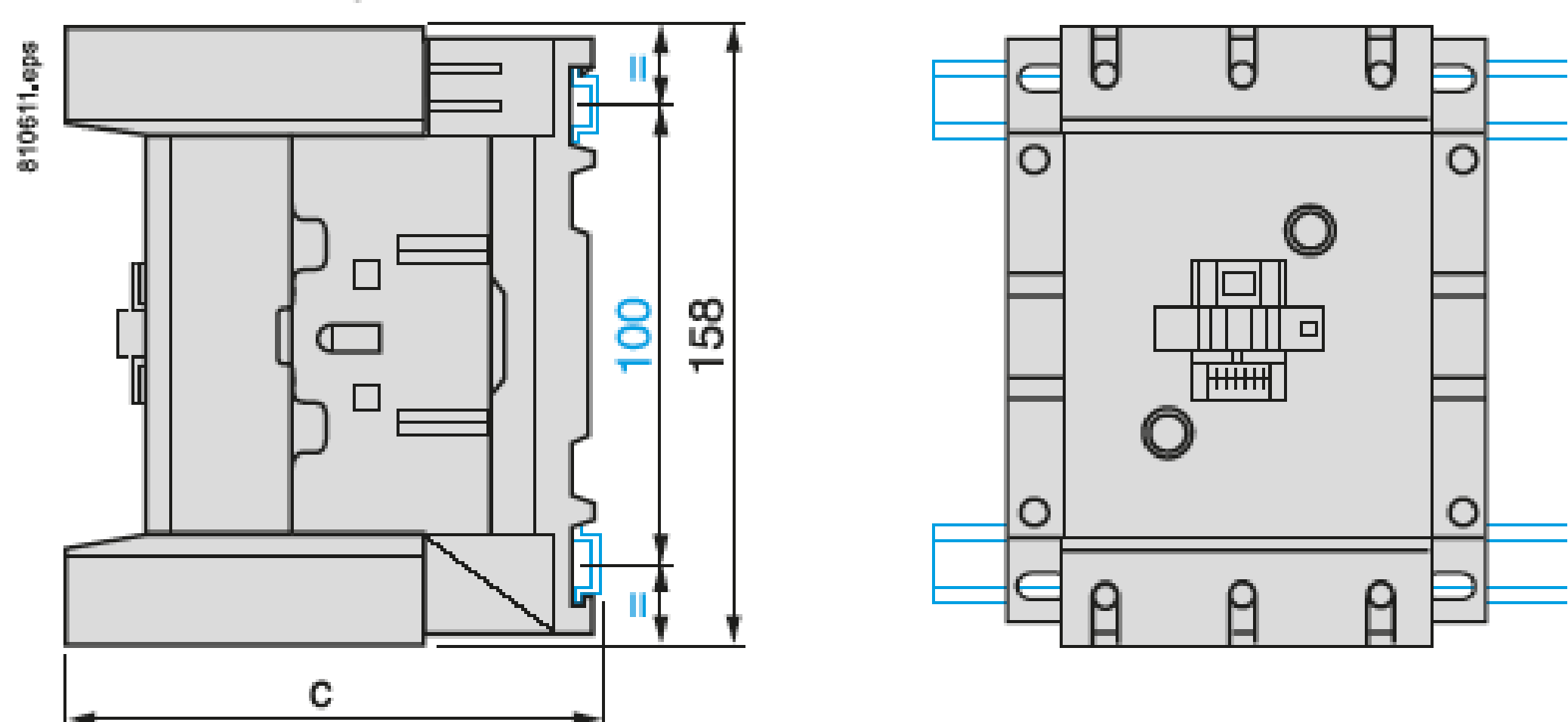
LC1	D80 and D95
c with cover	186

LP1

LP1	D80
c	181

LC1 D115, D150

On 2 mounting rails DZ5 MB on 120 mm centres



Control circuit: a.c. or d.c.

LC1	D115 and D150	D1156 and D1506
c (AM1 DP200 or DR200)	134.5	117.5
c (AM1 DE200 or ED...)	142.5	125.5



Mounting - TeSys D  
TeSys contactors  
TeSys D contactors

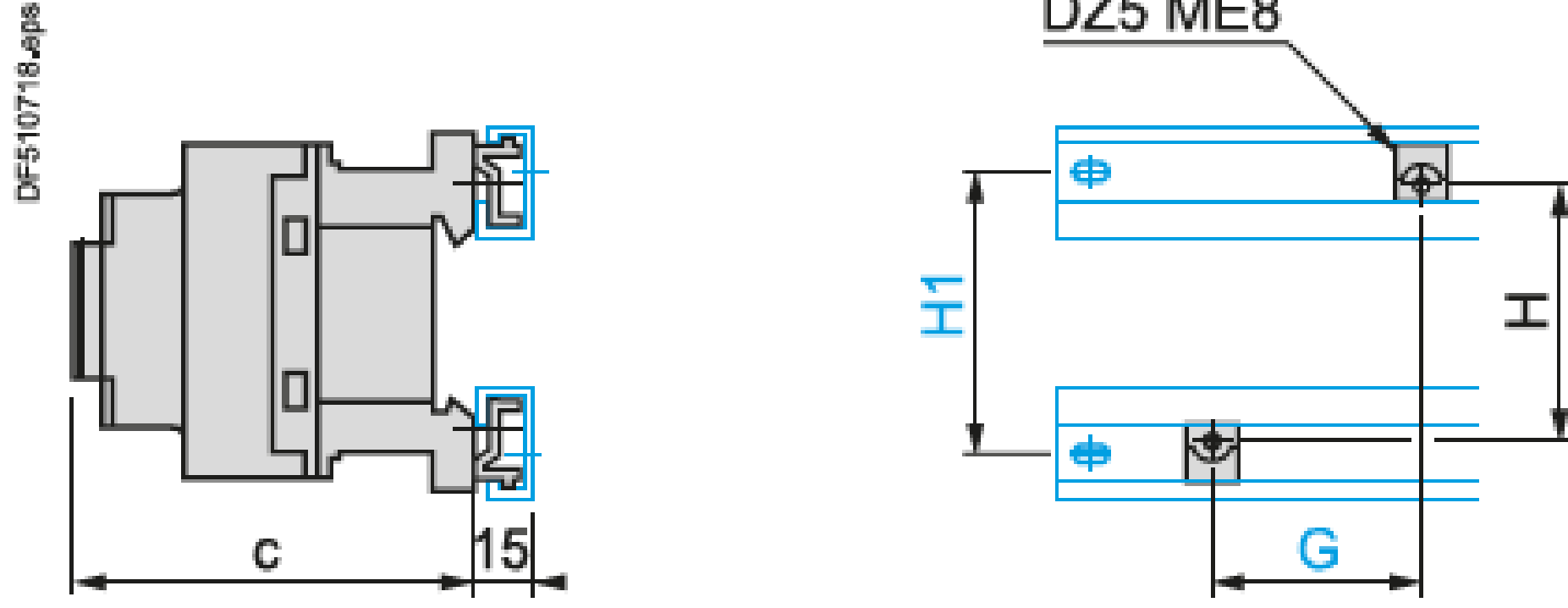


**فروشگاه اینترنتی جهان ولتاژ**  
عرضه و فروش انواع قطعات و ابزار الکتریکی

www.jahantaj.ir 0213456789

**LC1 D09...D38 and LC1 DT20...DT40**

On 2 mounting rails DZ5 MB



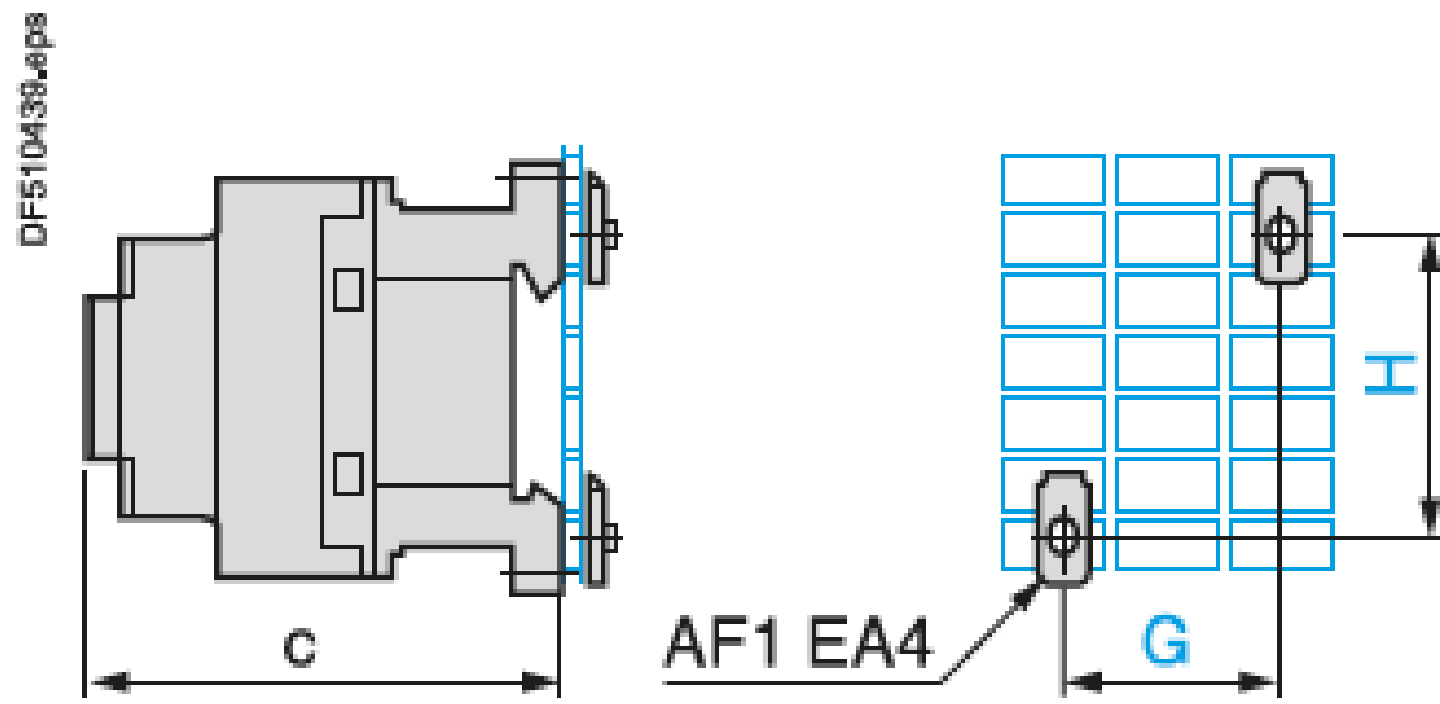
Control circuit:	a.c.		d.c.	
LC1	D09...D18	D25...D38	D09...D18	D25...D38
c with cover	86	92	95	101
<b>G</b>	<b>35</b>	<b>35</b>	<b>35</b>	<b>35</b>
H	60	60	70	70
<b>H1</b>	<b>70</b>	<b>70</b>	<b>70</b>	<b>70</b>

4-pole contactors

LC1	DT20 and DT25	DT32 and DT40	DT20 and DT25	DT32 and DT40
c	92	100	101	109
<b>G</b>	<b>35</b>	<b>35</b>	<b>35</b>	<b>35</b>
H	60	60	70	70
<b>H1</b>	<b>70</b>	<b>70</b>	<b>70</b>	<b>70</b>

**LC1 D09...D38 and LC1 DT20...DT40**

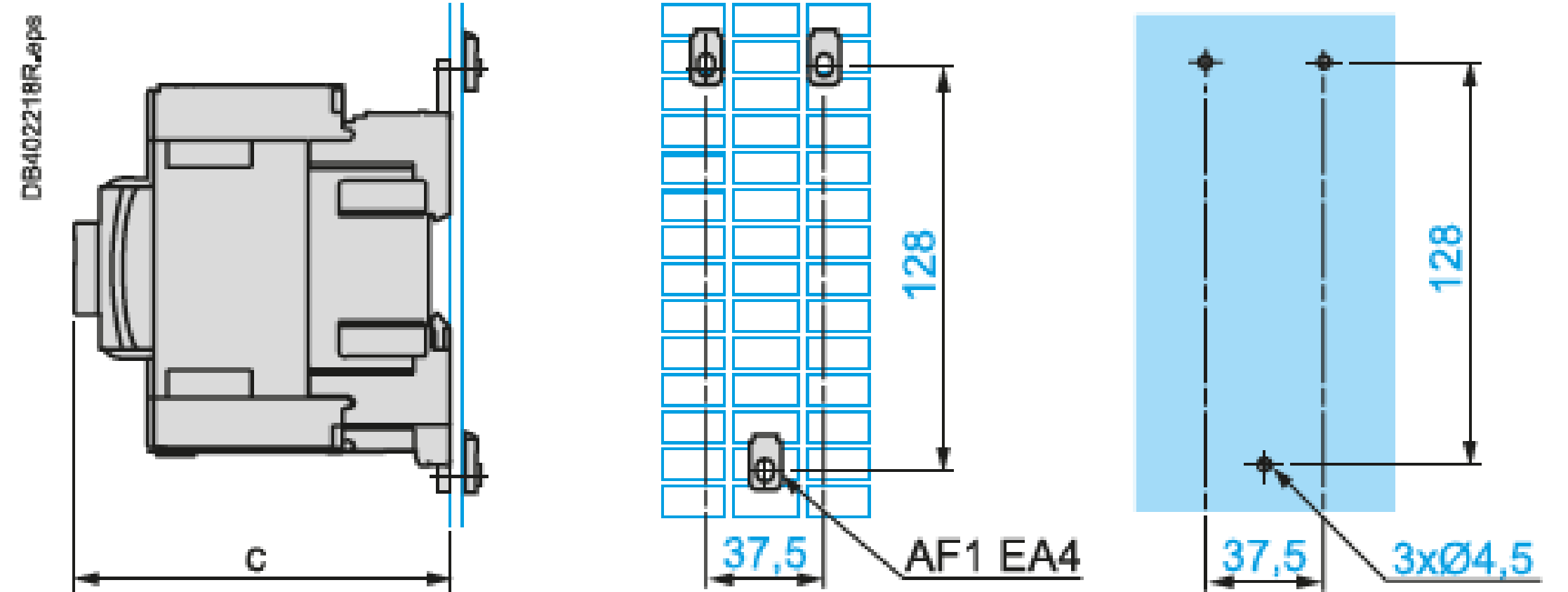
On pre-slotted mounting plate AM1 PA, PB, PC



Control circuit:	a.c.		d.c.	
LC1	D09...D18	D25...D38	D09...D18	D25...D38
c with cover	86	92	95	101
<b>G</b>	<b>35</b>	<b>35</b>	<b>35</b>	<b>35</b>
H	60/70	60/70	70	70
LC1	DT20 and DT25	DT32 and DT40	DT20 and DT25	DT32 and DT40
c with cover	80	93	118	132
<b>G</b>	<b>35</b>	<b>35</b>	<b>35</b>	<b>35</b>
H	60	60	70	70

**LC1 D40A...D80A, LC1 DT60A...DT80A**

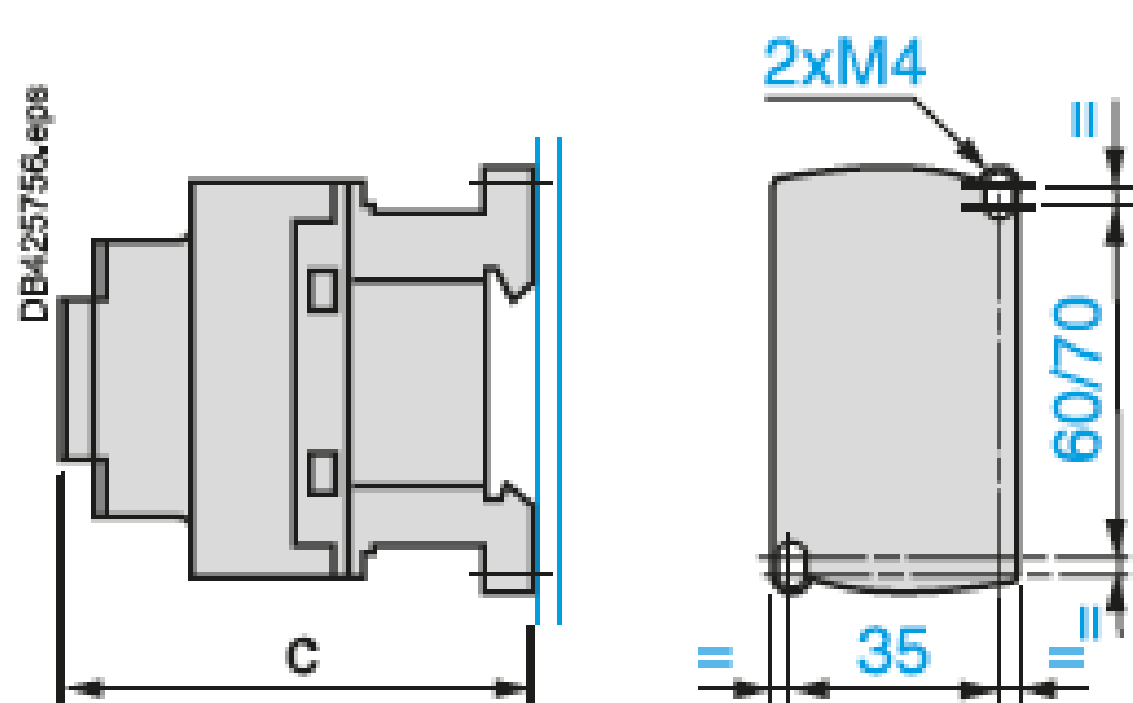
On pre-slotted mounting plate AM1 PA, PB, PC and panel mounted



Control circuit:	a.c.	d.c.
LC1	D40A...D80A, DT60A...DT80A	D40A...65A, DT60A...DT80A
c with cover	120	120

**LC1 D09...D38, LC1 DT20...DT40**

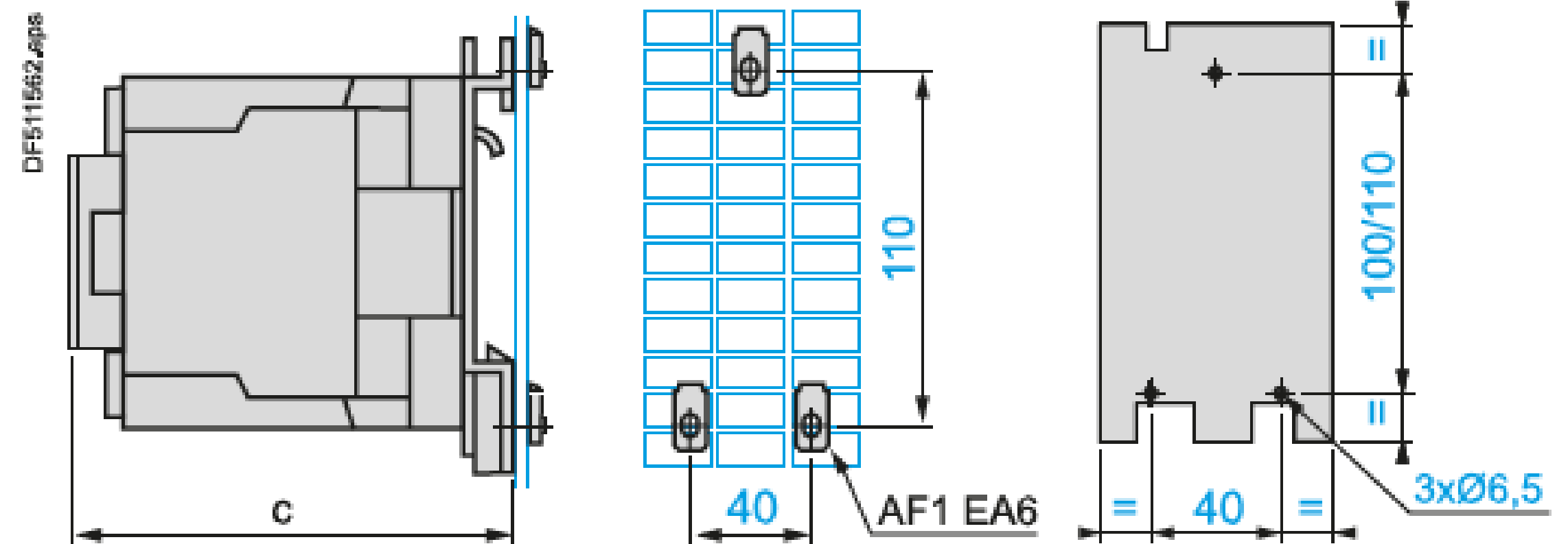
Panel mounted



Control circuit:	a.c.		d.c.	
LC1	D09...D18	D25...D38	D09...D18	D25...D38
c with cover	86	92	95	101
4-pole contactors				
LC1	DT20 and DT25	DT32 and DT40	DT20 and DT25	DT32 and DT40
c with cover	90	98	90	98

**LC1 D80 and D95, LC1 D4008 and D65008, LP1 D80**

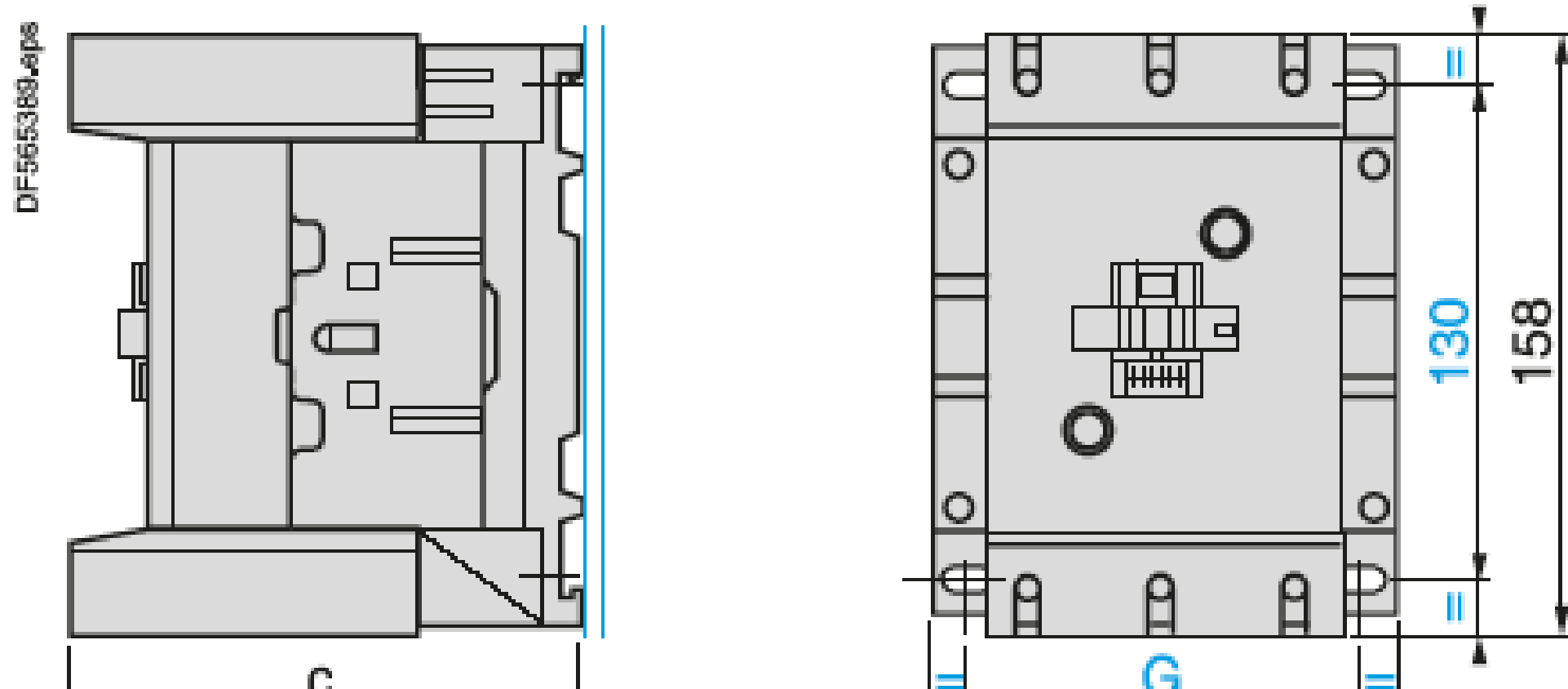
On pre-slotted mounting plate AM1 PA, PB, PC and panel mounted



Control circuit:	a.c.	d.c.
LC1	D80 and D95, D4008 and D65008	D80 and D95, D4008 and D65008
c with cover	130	186
LP1	-	D80
c without cover	-	181

**LC1 D115, D150**

Panel mounted



LC1	D115	D1156	D150	D1506
c	132	115	132	115
<b>G (3-pole)</b>	<b>96/110</b>	<b>96/110</b>	<b>96/110</b>	<b>96/110</b>
<b>G (4-pole)</b>	<b>130/144</b>	<b>130/144</b>	-	-